



SLS

Der Decoline Slim ist ein IP66-Wandfluter für Beleuchtung von Außenfassaden. Das schlanke Profil ist ideal für Nischenraum, in dem die Installationsfläche begrenzt ist. Mit dem Dank des hochdichten optischen Layouts ist das Gerät dazu in der Lage zeigen eine gleichmäßige Verteilung bei kurzem Rückschlag Distanz.





 RoHS IP66

Features:

Color Temperature	2700K, 3000K, 3500k, 4000K, 5000K, 5700K, 6500K
Length (Standard)	300mm, 600mm, 900mm, 1200mm
Optics	20°, 25°, 25°x40°, 30°x55°
Power Consumption	8W/ft
Dimming	On/Off, 0-10V, DALI, TRIAC, PWM

Mechanical Specifications

Housing Material	6063 high density extruded aluminium alloy
Lens Material	Optical grade PMMA
Cover	Silk screen tempered glass
Surface Finishing	Powder coating available in Black (RAL 9011), White (RAL 9001), Grey (RAL 9006)

Luminaire Performance

Color Consistency	3 SDCM
Color Rendering	CRI80 *CRI90 available
Lumen Maintenance	L70>50,000hrs @25°C
Delivered output @3000K CCT, CRI80, 20°	720lm/ft (ON/OFF)
ON/OFF	580lm/ft
TRIAC	580lm/ft - Standard version
0-10V, DALI	720lm/ft - PWM version
	<i>*high efficiency dimming option available (PWM version)</i>

Electrical Specifications

Voltage	DC 24V
Power Consumption	8W (300mm), 16W (600mm), 24W (900mm), 32W (1200mm)

* Remark: The given data of color temperature, beam angles, lumen output, and electrical power are typical values. Due to the encapsulation of the fixture, the tolerances of the production process and the electrical components, the values can vary up to 10%. Please consult the factory to get the latest IES file.

PRODUCT SPECIFICATION

System Specifications

The maximum number of connected fixtures in a daisy chain:

Power/ Meter	Input Voltage	Max. run length includes power feed to the end of the fixtures in the daisy chain	Max. no of assorted length of fixtures can be clusted on a single contiguous run	Max. power allowable in a daisy chain	Version
8W	24V	20 Meters	10 pcs	156W	US
8W	24V	15 Meters	10 pcs	120W	EU
8W	24V	12 Meters	8 pcs	108W	US (PWM)
8W	24V	10 Meters	8 pcs	108W	EU (PWM)

Remark: The above values and number are only typical values. Actual number may vary due to the cable lengths and signal source.
The table does not apply in PWM version.

The core in the power and data cable are colored according to the following table:

ON/OFF, 0-10V, DALI, and TRIAC:

Cable	Dimming	Function	Core(US)	Wire Size	Core(EU)	Wire Size
Power lead in/ Power extension Cable	ALL	DC+	Red	16AWG	Brown	1.0mm ²
		DC-	Black	16AWG	Blue	1.0mm ²

High Efficiency Dimming Version (0-10V and DALI):

Cable	Dimming	Function	Core(US)	Wire Size	Core(EU)	Wire Size
Power lead in/ Power extension Cable	0-10, DALI	DC+	Red	20AWG	Brown	0.75mm ²
		DC-	Black	20AWG	Blue	0.75mm ²
		PWM	Yellow/Green	20AWG	Yellow/Green	0.75mm ²

* It is recommended to use Lumilime's dimming synchronizer for PWM version

Environment

Storage Temperature	-30°C to 60°C
Operating Temperature	-10°C to 50°C
Ingress Protection Rating	IP66

PRODUCT SPECIFICATION

HELIOS SLIM

Static White

Zubehör zum Dimmen mit hoher Lumeneffizienz (separat bestellen)

ITEM: LLL-0-10V-PWM-3.0

Description: A high performance signal synchronizer convert 0-10V signal into 0% to 100% duty cycle PWM signal. This device can control multiple of wallwashers in a daisy chain.



ITEM: LLL-DALI-PWM-3.0

Description: A high performance signal synchronizer convert DALI signal into 0% to 100% duty cycle PWM signal. This device can control multiple of wallwashers in a daisy chain.



ITEM: LLL-DMX-PWM-3.0

Description: A high performance signal synchronizer convert DMX signal into 0% to 100% duty cycle PWM signal. This device can control multiple of wallwashers in a daisy chain where unique IP address is not required.



SLS

Swiss Lighting Solution

PRODUCT SPECIFICATION

HELIOS SLIM

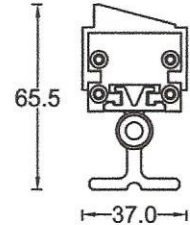
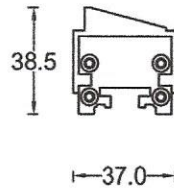
Static White

Anti-glare Accessories (order separately)

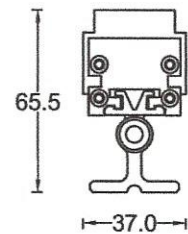
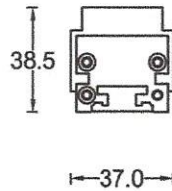


ITEM: DSGLA-300/600/900/1200-PB
Asymmetric anti-glare louver for Decoline Slim

Height with / without mounting bracket (DSMBA)

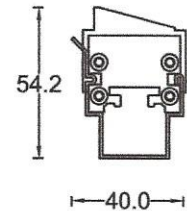
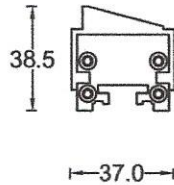


ITEM: DSGLS-300/600/900/1200-PB
Symmetric anti-glare louver for Decoline Slim

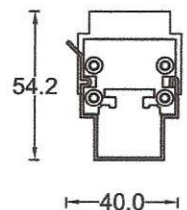
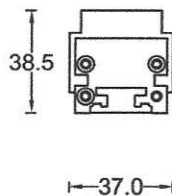


ITEM: DSGLS-300/600/900/1200-PB
Symmetric anti-glare louver for Decoline Slim
(with fixed mounting clip)

Height with / without mounting clip (DSMBF)



ITEM: DSGLS-300/600/900/1200-PB
Asymmetric anti-glare louver for Decoline Slim
(with fixed mounting clip)



SLS

Swiss Lighting Solution

PRODUCT SPECIFICATION

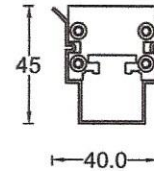
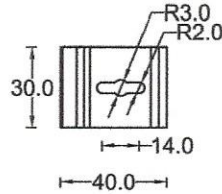
HELIOS SLIM

Static White

Mounting Accessories



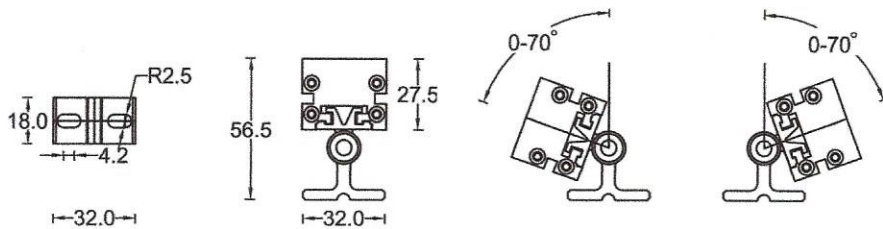
ITEM: DSMBF



DESCRIPTION: Fixed mounting clips are used where pre-installation is needed. After fixing the clip to the installation area, the luminaire can be snapped in the clip directly.



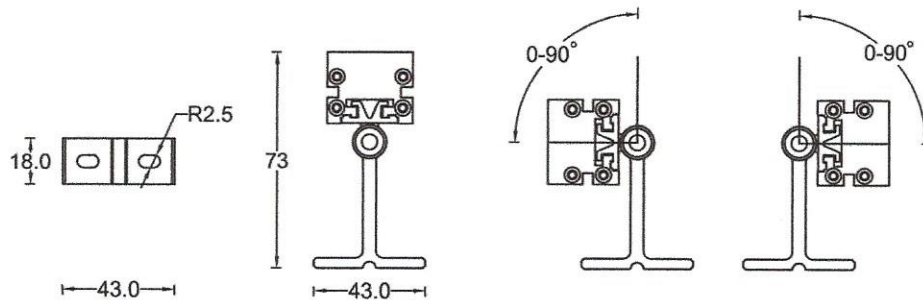
ITEM: DSMBA



DESCRIPTION: DSMBA are used for applications that require angle adjustments. It can rotate up to 140 degree.



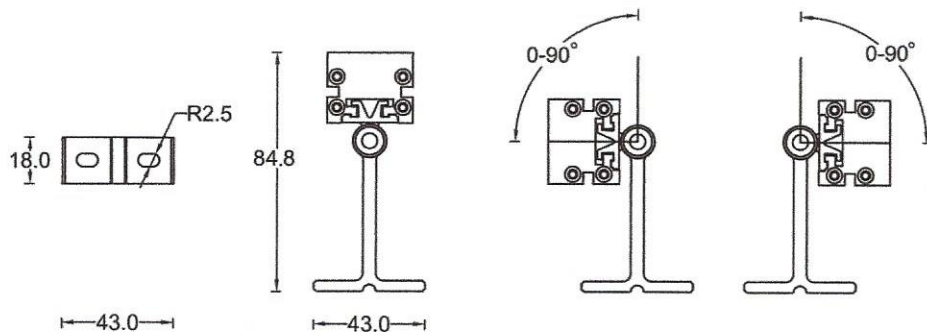
ITEM: DSMBA-H73



DESCRIPTION: DSMBA-H83 are used for applications that require angle adjustments. It can rotate up to 180 degree.



ITEM: DSMBA-H85



DESCRIPTION: DSMBA-H96 are used for applications that require angle adjustments. It can rotate up to 180 degree.

SLS

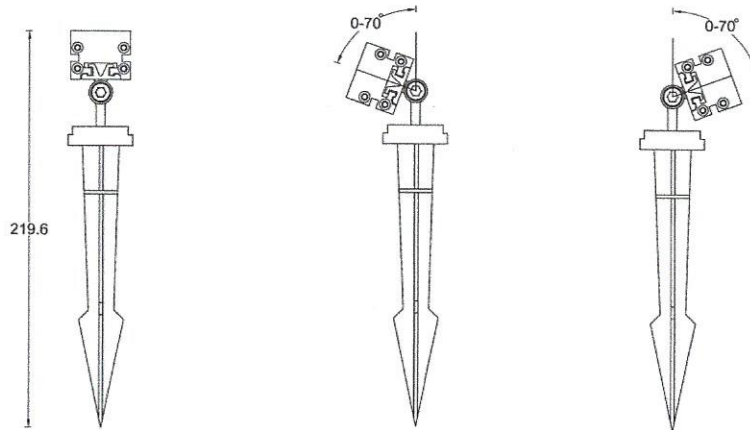
Swiss Lighting Solution

PRODUCT SPECIFICATION

HELIOS SLIM

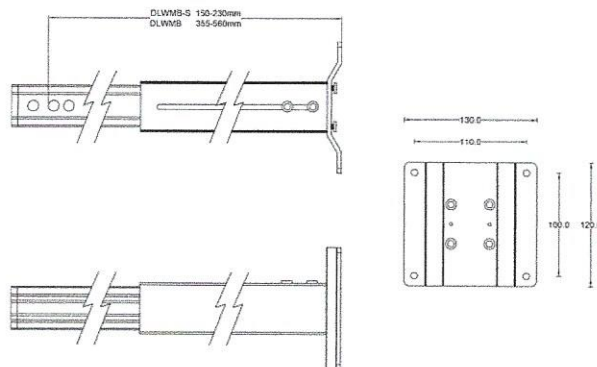
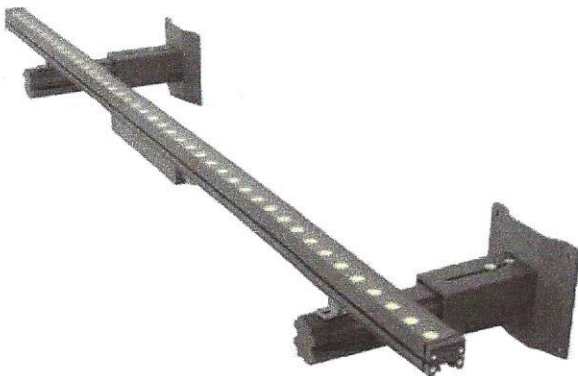
Static White

Mounting Accessories (order separately)



ITEM: DSMBA-STAKE

DESCRIPTION: DSMBA-STAKE are used for landscape lighting application.



DESCRIPTION:

ITEM: DLWMB-S

DLWMB-S are used for application that requires wall mounting with length 150mm-230mm,

ITEM: DLWMB

DLWMB are used for application that requires wall mounting with length 355mm-560mm.

**need to order this item together with the fixture as it requires special mounting brackets to lock the wall mounting arm.*





SLS

Swiss Lighting Solution

PRODUCT SPECIFICATION

Static White

Connecting Accessories (order separately)

Product Image	Part Number	Length (mm)	Application	Cable End		Conductor Size	Region
	ECDCF-300-2pin-EU	300	Power Lead (ON/OFF, TRIAC, DALI, 0-10V)	Female	Bare Wire	2x1.0mm ²	Europe
	ECDCF-2000-2pin-EU	2000					
	ECDCF-6000-2pin-EU	6000					
	ECDCF-300-2pin-US	300				2x16AWG	USA
	ECDCF-2000-2pin-US	2000					
	ECDCF-6000-2pin-US	6000					
	ECDCLE-003 -2pin-EU	300	Power Extension (ON/OFF, TRIAC, DALI, 0-10V)	Female	Male	2x1.0mm ²	Europe
	ECDCLE-006 -2pin-EU	600					
	ECDCLE-018 -2pin-EU	1800					
	ECDCLE-003 -2pin-US	300				2x16AWG	USA
	ECDCLE-006 -2pin-US	600					
	ECDCLE-018 -2pin-US	1800					
	ECDCF-300-3pin-EU	300	PWM: Power Lead (DALI, 0-10V)	Female	Bare Wire	3x0.75mm ²	Europe
	ECDCF-2000-3pin-EU	2000					
	ECDCF-6000-3pin-EU	6000					
	ECDCF-300-3pin-US	300				3x20AWG	USA
	ECDCF-2000-3pin-US	2000					
	ECDCF-6000-3pin-US	6000					
	ECDCLE-003 -3pin-EU	300	PWM: Power Extension (DALI, 0-10V)	Female	Male	3x0.75mm ²	Europe
	ECDCLE-006 -3pin-EU	600					
	ECDCLE-018 -3pin-EU	1800					
	ECDCLE-003 -3pin-US	300				3x20AWG	USA
	ECDCLE-006 -3pin-US	600					
	ECDCLE-018 -3pin-US	1800					

End Cap:

Part Number: ENDCAP-2pin-M

Description: End cap for standard version

Part Number: ENDCAP-3pin-M

Description: End cap for PWM version

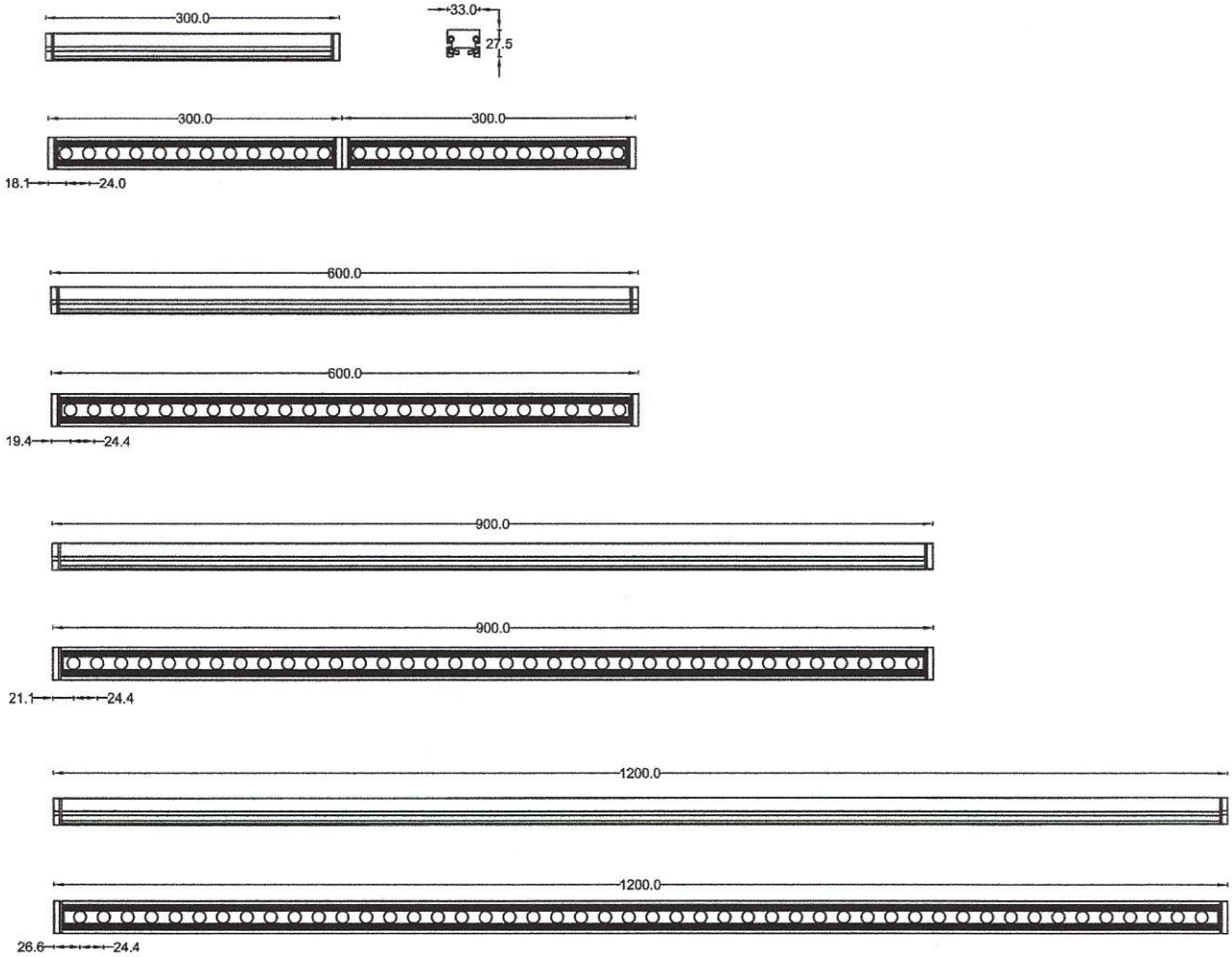


PRODUCT SPECIFICATION

HELIOS SLIM

Stalç White

Dimensions



PRODUCT SPECIFICATION

Luminaire Order information

Example: DS.0627.20 -ONOF-PG-US

1 2 3 4 5 6 7

1	2	3	4	5	6	7
Series	Length	CCT	Optic	Control	Finish	Area
DS:HELIOS Slim	03: 300mm 06: 600mm 09: 900mm 12: 1200mm	27: 2700K 30: 3000K 35: 3500K 40: 4000K 50: 5000K 57: 5700K 65: 6500K	20: 20° 25: 25° A1: 25°x 40° A2: 30°x 55°	ONOF: On/Off 0-10: 0-10V DALI: DALI TRI: TRIAC PWM: PWM	PG: RAL9006 (Grey) PB: RAL9011 (Black) PW: RAL9001 (White)	EU: EUROPE US: USA

*Customized optic available

*PWM: Lumilime's dimming synchronizer is recommended for high lumen efficiency dimming

*Customized coating available

*Anti corrosive coating available

Statement of Limited Warranty

WARRANTY PROTECTION:

2 Jahre Garantie

SLS

Swiss Lighting Solution

YUVA YAPAR Erhan

CEO

Badstrasse 4
5408 Ennetbaden

Switzerland

T. +41 56 249 0 100

M. +41 76 440 0 100

info@SLS1.ch

e.yuva@SLS1.ch

www.SLS1.ch